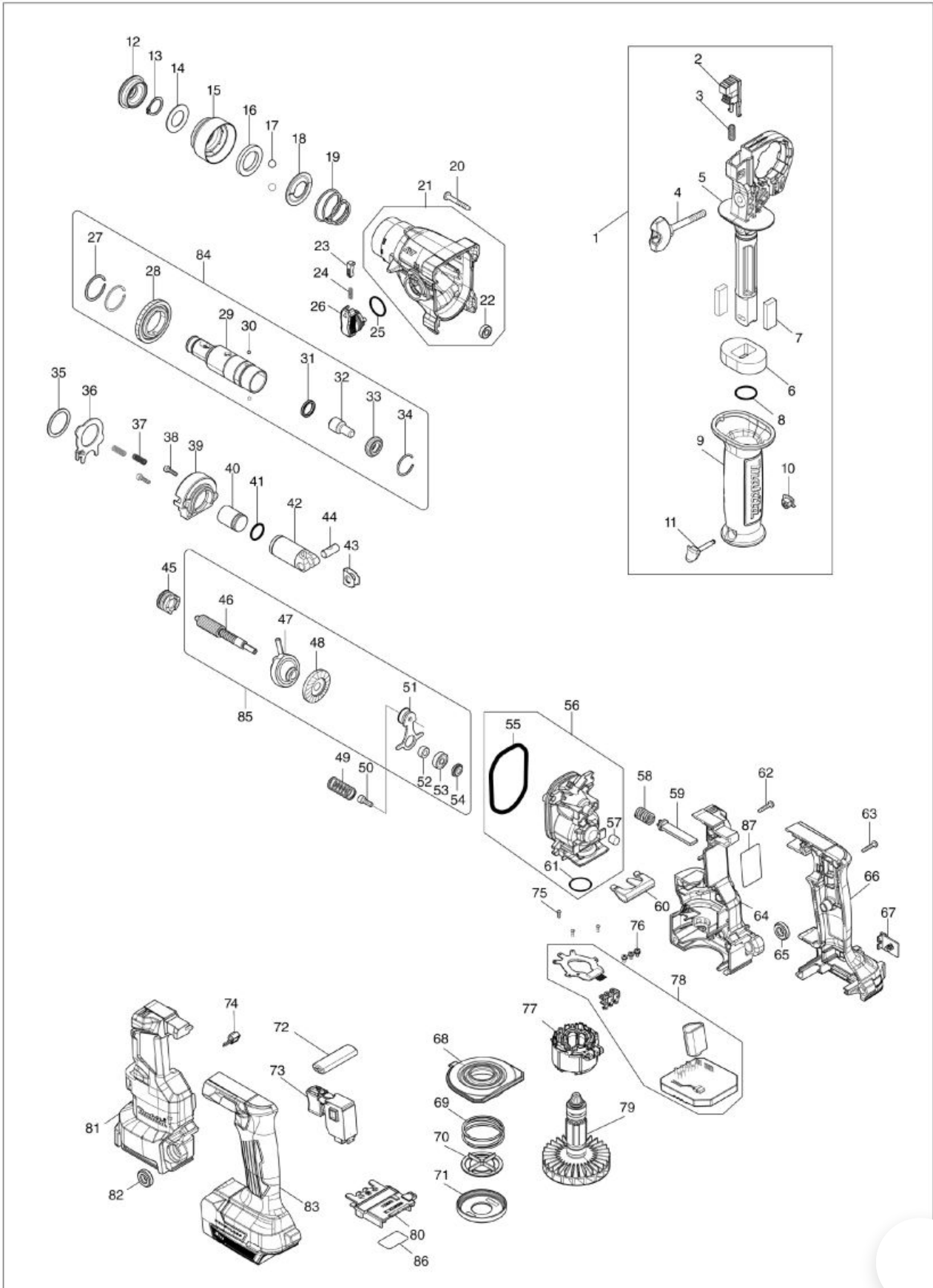


Part Diagram

(MY) DHR183 / 18MM CORDLESS ROTARY HAMMER



Item	Sub	Parts No.	Parts Description	Qty
1		122D63-1	GRIP ASSEMBLY	1
	D10		INC. 2-11	
2		413N19-8	LOCK BUTTON	1
3		233360-7	COMPRESSION SPRING 4	1
4		265625-9	THUMB SCREW M6X50	1
5		413N18-0	SIDE HANDLE BASE	1
6		422A19-9	SPONGE SHEET A	1
7		422A20-4	SPONGE SHEET B	2
8		213262-3	O RING 18	1
9		413N20-3	GRIP 36	1
10		422255-1	CAP	1
11		162C55-2	FIX PIN	1
12		286037-3	CAP 34	1
13		961057-5	RETAINING RING S-17	1
14		253377-4	FLAT WASHER 17	1
15		457214-6	CHUCK COVER	1
16		257416-2	RING 21	1
17		216022-2	STEEL BALL 7.0	2
18		346177-0	GUIDE WASHER	1
19		232347-6	CONICAL COMP. SPRING 21-29	1
20		266050-7	TAPPING SCREW 4X30	4
21		136955-4	GEAR HOUSING ASS'Y	1
	D10		INC. 22	
22		211157-4	BALL BEARING 695ZZ	1
23		161568-2	LOCK BUTTON COMPLETE	1
24		232344-2	COMPRESSION SPRING 3	1
25		213278-8	O RING 17	1
26		161569-0	CHANGE LEVER COMPLETE	1
27		961135-1	RETAINING(EXT) WR-25	2
28		227A13-4	SPUR GEAR 42	1
29		327B25-4	TOOL HOLDER	1
30		216019-1	STEEL BALL 3	2
31		213183-9	X RING 13	1
32		326843-5	IMPACT BOLT	1
33		326842-7	RING 10	1
34		232343-4	RING SPRING 23	1
35		267175-0	FLAT WASHER 24	1
36		347B03-8	CHANGE PLATE	1
37		232802-8	COMPRESSION SPRING 4	2
38		265910-0	HEX. SOCKET HEAD BOLT M3X12	2
39		141N19-5	INNER SUPPORT COMPLETE	1
40		327007-4	STRIKER	1
41		213128-7	O RING 12	1
42		319510-9	PISTON CYLINDER	1
43		347B05-4	GUIDE PLATE	1
44		326846-9	PISTON JOINT	1
45		327B24-6	CLUTCH CAM	1
46		227A12-6	SPUR GEAR 9	1
47		219033-6	SWASH BEARING 8	1
48		227A14-2	SPIRAL BEVEL GEAR 29	1
49		232801-0	COMPRESSION SPRING 10	1
50		265353-6	HEX. SOCKET HEAD BOLT M4X12	1
51		141N20-0	BEARING RETAINER COMPLETE	1
52		257890-4	RING 5	1
53		210065-6	BALL BEARING 625ZZ	
54		326847-7	RING 5	
55		213A29-5	O RING 55	
56		136961-9	INNER HOUSING ASS'Y	1

Item	Sub	Parts No.	Parts Description	Qty
	D10		INC. 55,57,61	
57		443153-6	FELT	1
58		232782-8	COMPRESSION SPRING 8	1
59		413N16-4	PUSHER	1
60		347A85-4	BEARING RETAINER	1
61		213325-5	O RING 19	1
62		266130-9	TAPPING SCREW BIND PT 3X16	5
63		266130-9	TAPPING SCREW BIND PT 3X16	6
64		183X92-9	HOUSING SET	1
	D10		INC. 81	
65		422A09-2	CUSHION RING 8	1
66		183X68-6	HANDLE SET	1
	C10	263005-3	RUBBER PIN 6	2
	D10		INC. 83	
67		422A08-4	CAP	1
68		413N60-1	AIR DUCT	1
69		232796-7	COMPRESSION SPRING 37	1
70		413N14-8	VALVE	1
71		413N15-6	CAP	1
72		454980-6	F/R CHANGE LEVER	1
73		650689-0	SWITCH C3JW-2B	1
74		620K85-2	LED CIRCUIT	1
75		266490-9	TAPPING SCREW PT 2X6	3
76		652069-6	FLAT HEAD SCREW M3X6	3
77		629C18-6	STATOR	1
78		620L24-8	CONTROLLER	1
79		619816-8	ROTOR	1
80		643874-2	TERMINAL	1
81		183X92-9	HOUSING SET	1
	D10		INC. 64	
82		422A09-2	CUSHION RING 8	1
83		183X68-6	HANDLE SET	1
	C10	263005-3	RUBBER PIN 6	2
	D10		INC. 66	
84		136959-6	TOOL HOLDER ASSY	1
	D10		INC. 27-34	
85		136960-1	SPUR GEAR 9 ASS'Y	1
	D10		INC. 46-48,51-54	
86		8588S0-3	DHR183 SERIAL NO. LABEL	1
87		8588R3-0	DHR183 NAME PLATE	1
A01		413N42-3	DEPTH GAUGE	1
A02B		821552-6	CONNECTOR PLASTIC CASE (TYPE4)	1
	C10	453974-8	LATCH	4
A03B		8356M9-8	INNER TRAY	1
A04B		450128-8	BATTERY COVER	1
A05B		***DC18RC	DC18RC FAST CHARGER	1
	D10		COMPO-PARTS	
A06B		197280-8	BATTERY BL1850B SET	2
A07B		***DX16	DX16DUST COLLECTION SYSTEM SET	1
	C10	422992-7	SEALING CAP	5
	D10		COMPO-PARTS	
B01		198564-7	HAMMER SERVICE KIT	1
	C10	195127-0	OIL VESSEL SET	1
	D10		INC. 12,13,17,31,34,41	
F03		1911K0-5	TOOL HANGER SET	1
F04		1911P2-6	DX16DUST COLLECTION SYSTEM SET	
F06		1911P5-0	DUST CASE SET	
F07		1911P8-4	DUSTCUP SET	